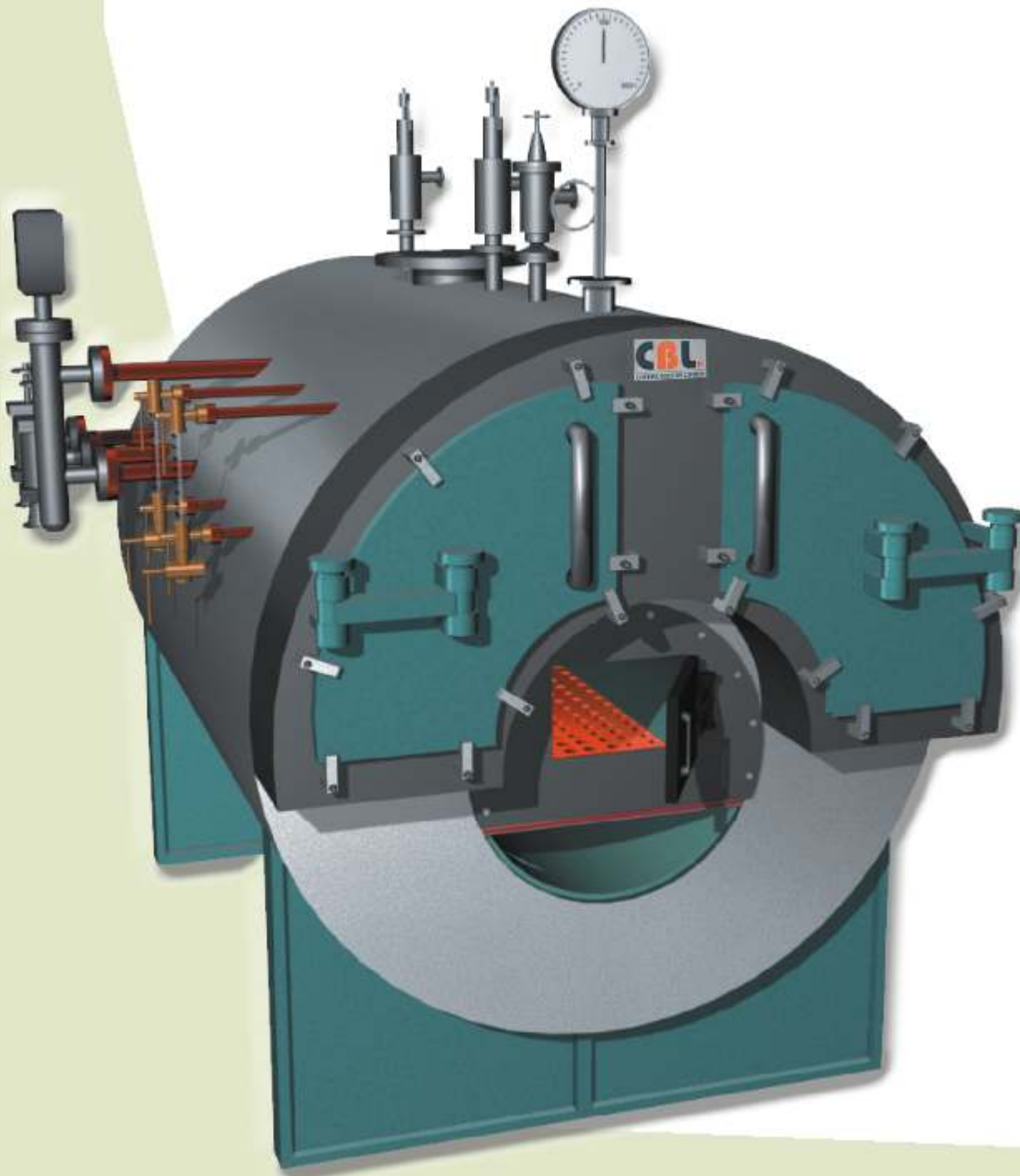


INPAC

3 Pass, Fully Wet - Back Package Boiler with Integral Furnace



SALIENT FEATURES

Fuel

Wood, coal, agro -
waste, briquettes etc.

Capacity

Available from 600 Kg
per hour to 5 TPH

Other Specialities

Compact & rugged
design.

Less space
requirement.

Better steam
quality/dryness.

Highly dependable due
to high quality
material & fabrication.



CHEEMA BOILERS LIMITED

Head Office : S.C.O. 523-24, Sector 70, Mohali, Chandigarh-160 071, INDIA Tel : +91-172-5090 487, 5055 666, 5091 790
Telefax : +91-172-5090 486 E-mail : marketing@cheemaboilers.com

Works : Village Ban Majra, Kurali Ropar Road, Distt. Ropar-140 103, INDIA Tel : +91-160-5005 801-03 Telefax : +91-160-5005 804
Delhi : 212-A, Jyoti Shikhar Tower, District Centre, Janakpuri, New Delhi-110 058 Tel : +91-11-2552 8948, 2553 6117
Fax : +91-11-2550 6865 E-mail : cheemaboiler@gmail.com

Hyderabad : D.No.7-1414/19, Flat # 301B, Naga Sai Niwas, Srinivasa Nagar (E), S.R.Nagar, Hyderabad-500 038 Tel : +91-40-6682 1160
Fax : +91-40-6682 1161 E-mail : cheemahyd@cheemaboilers.com

Kolkata : BE - 373, Sector 1, Salt Lake, Kolkata-700 064 Tel : +91-33-2334 2565, 098308 71656 E-mail : cblkol@cheemaboilers.com

Mumbai : 708, Swastik Chamber, Opp. Chagan Miitha Petrol Pump, CST Road, Chembur, Mumbai-400 071 Tel : +91-22-2524 6031
Telefax : +91-22-2524 6037 E-mail : cblmumbai@cheemaboilers.com

Coimbatore : 220/221 Alagesan Main Road, Saibabad Colony Post, Coimbatore-641 011

Tel : +91-422-2435 554, 4385 691 E-mail : cblcbe@cheemaboilers.com

Visit us at www.cheemaboilers.com

All dimensions, specifications are approximate.

The information is given in good faith and should be confirmed before establishing any contractual commitment.